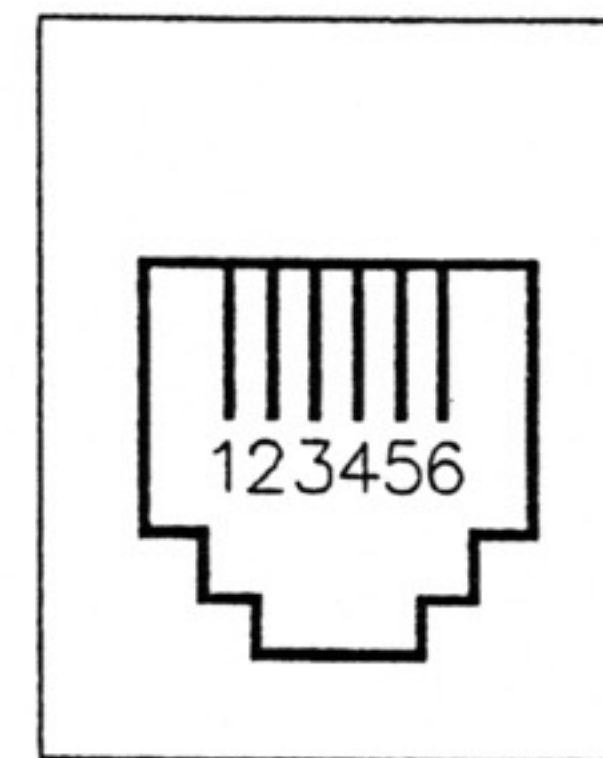


THUMBSCREW: 4-40 THREAD



- 1 ----- WHITE
- 2 ----- BLACK
- 3 ----- RED
- 4 ----- GREEN
- 5 ----- YELLOW
- 6 ----- BLUE



NOTE: DIMENSIONS ARE IN INCHES AND SHOULD BE USED FOR REFERENCE ONLY

DESCRIPTION: MODULAR ADAPTOR, 6P6C TO DB-15 FEMALE		APRVD BY:	DWG. NO. D.S. 1125	REV.	DWG.BY: HAI NGUYEN
COLOR: BLACK					DATE: 03/11/93
MATERIAL: THERMOPLASTIC 94-V0					SCALE: 1
PART NO. : <b>AMK-0017</b>					SHEET 1 OF 1